



## RAWLINGS WOOD HOGS

### Custom Wood Grinding Systems

The original rotary hog was invented and developed by Rawlings Manufacturing Inc. in 1977. Since then our family owned and operated company has designed, manufactured and marketed several product lines.

Rawlings Wood Hogs are available in stationary, portable and skid mounted systems. We offer individual equipment delivery from simple stand-alone vertical and horizontal hogs to custom wood waste recovery systems.

As a proven leader in size reduction equipment we're assisting our customers in utilizing renewable resources while reducing and recycling a wide variety of wood waste into marketable products.



# WOOD HOGS



## Customer Testimonials



Rawlings PXZ Vertical & HZX Horizontal Super Hi-Inertia Hogs are the most productive and efficient hogs available and have proven track records in some of the toughest applications that exist.

- Biomass Recovery
- Alternative Fuels
- Biomass and Co-Generation
- Sawmill
- Pulp, Paper, and Pellet Plants
- Compost and Mulch Operations
- Recycling Facilities
- Waste To Energy Plants

When the decision was made to upgrade our hog, we considered several options but had heard that the Rawlings hog had superior result when compared to other hogs once considered. The decision was easy as soon as we evaluated our options. Since the upgrade, we have realized many returns that we had hoped for, specifically, to keep the hog running a full shift without a problematic shut down. That factor alone has increased our uptime. Prior to the upgrade, the barker needed to run on lower pressures to reduce chances of plugging the hog. To summarize, the return on investment that we expected has been greatly increased and I would not hesitate to recommend to anyone to invest in a Rawlings Hog system.

Western Forest Products,  
British Columbia



"Compare this to other hogs we have had were maintained at least weekly and you will see there is no comparison at all. This Rawlings machine is easier to work on, get into, and inspect than any other hog we have had. I would have to say that overall, this is a very fine machine. I have only found one drawback with this machine. You sometimes forget to check it out regularly because you never have any problems with it."

West Fraser, Huttig, Arkansas

**Rawlings Manufacturing, Inc.**

1780 Idaho St. Missoula, Montana 59801

A Proven Leader in Wood Reduction Equipment and Technology

RAWLINGS WOOD HOGS - WWW.WASTEWOODHOGS.COM



Genuine Rawlings Wood Hogs  
parts available at Rocwear Solutions, Inc.  
1-866-RocWear (866-762-9327)

# HZX SUPER HI-INERTIA™

RAWLINGS WOOD HOGS - WWW.WASTEWOODHOGS.COM

## Customizable Complete Solutions

### Rawlings Horizontal Grinders

provide a complete solution to your size reduction needs, delivering superior processing performance while minimizing horsepower and maintenance requirements. A proven leader in size reduction technology,

Each system can be designed with work platform decks, choice of belt, chain or vibrating infeed and outfeed conveyors. Metal or magnet protection, product screening and separation all customizable for your specific operation.



Rawlings has complete solutions for processing and sizing different biomass and forest materials. The scope of supply can vary from complete systems to individual equipment delivery.



Rawlings Equipment is designed for continuous operation. Special attention has been paid to maintenance intervals and ease of maintenance access to minimize overall maintenance costs.

## Why Choose Rawlings

Developed from rock crusher technology, the tough Rawlings Wood Hog uses both shear and impact to reduce material.

- Can handle really tough to grind materials like stringy cedar, black spruce, urban waste, logs, railroad ties, telephone poles
- Tolerant of rocks and metal without catastrophic damage to machine
- The highest crushing impact rotor in the industry supplying massive kinetic energy to power through the largest feeding surges

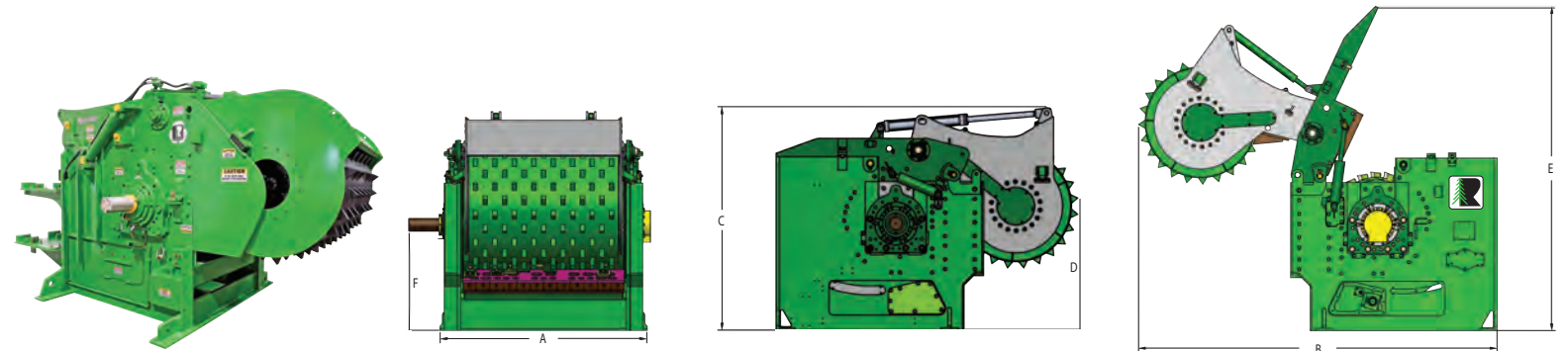


**Our machines are designed to operate 24/7 365 days a year. Bottom-line productivity, pure and simple.**

The Rawlings Hog is a simple but sophisticated design that incorporates low maintenance technology throughout:

- Upper case is opened hydraulically for quick and easy service access
- Simple design reduces parts inventory and is easy to maintain
- Tremendously strong structure and oversized components
- Easy replacement of all wear surfaces and components
- One third lower RPM than other types of hogs reduces both mechanical wear and fines generation

## Rawlings HZX Specs



Hog Size	HP	RPM	Rotor Mass Moment Of Inertia (lb-ft <sup>2</sup> )	Rotor Weight (lbs)	Total Weight (lbs)	Shaft Diameter	A (in)	B (in)	C (in)	D (in)	E (in)	F (in)
4872	500	565	29,400	21,400	56,762	6.25	93.5	135.19	99	55.56	145.03	47.25
4860	500	565	24,500	17,900	47,324	6.25	81.5	135.19	99	55.56	145.03	47.25
4848	500	565	19,600	14,400	37,886	6.25	69.5	135.19	99	55.56	145.03	47.25
3660	300	750	9,500	9,900	30,335	6.25	71	100	78	46	100	42
3636	300	750	5,700	6,100	22,449	6.25	59	100	78	46	100	42